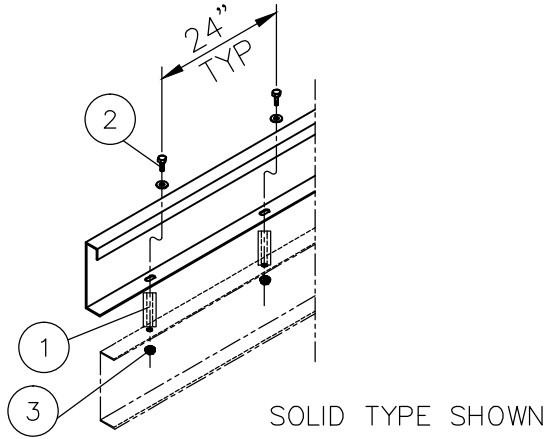


DWG #	HARDWARE LIST #
A02000	8
B22641	5/7/33/35
B22833	30/109/110/111
B22557	30/109/110/111
A06000	74
B01356	8

ITEM	QTY	DESCRIPTION	DRAWING
1	*	0.375"-16NC X 1" BOLT	23-420
2	*	0.375" FLANGE NUT	23-470
3	*	0.375" FLAT WASHER	23-430
4	*	BED ALIGNING BAR	A02000-00-000H
5	*	1/4"-20 X 5/8" HHCS	23-192
6	*	1/4" FLAT WASHER	23-250
7	*	1/4"-20 FLANGE NUT	23-293

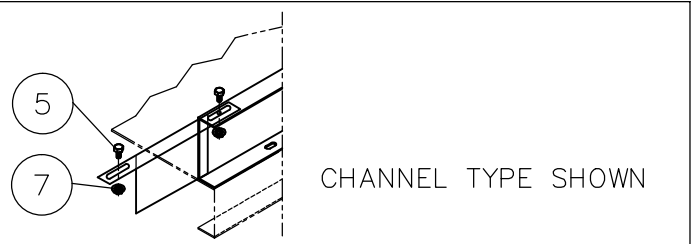
*QUANTITIES VARY PER OAL



SOLID TYPE SHOWN

OPTIONAL 190CAP

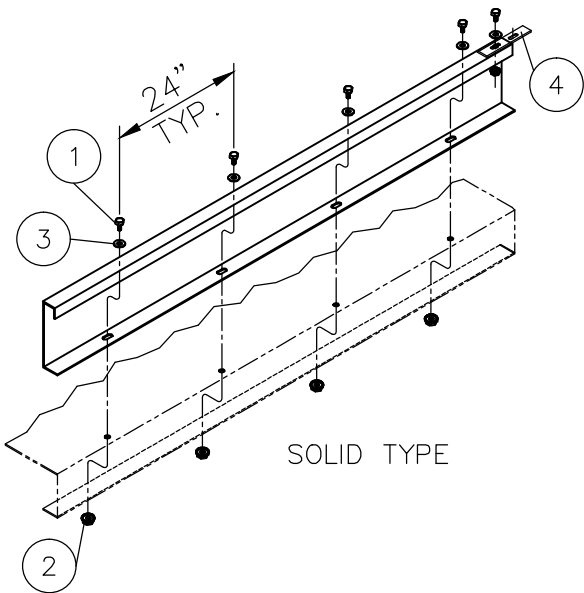
- (1) GD RL SPACER PIPE A06000-00-000G
- (2) 3/8"-16 X 1 3/4" GR#2 HHCS 23-488
- (3) 3/8"-16 SER FLG NUT 23-470



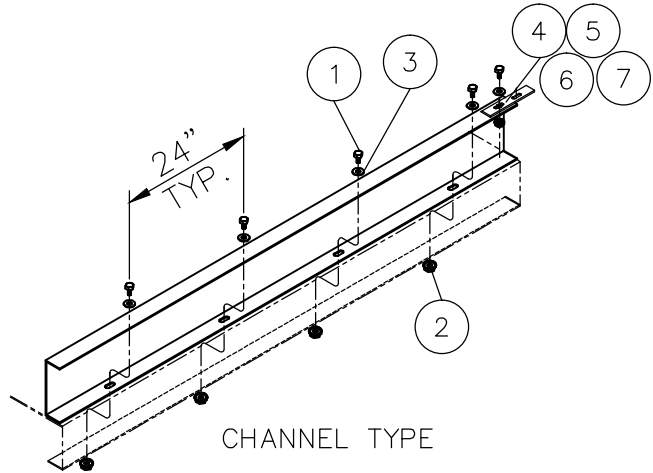
CHANNEL TYPE SHOWN

OPTIONAL FILLER PLATE FOR NOSEOVER AND FEEDER

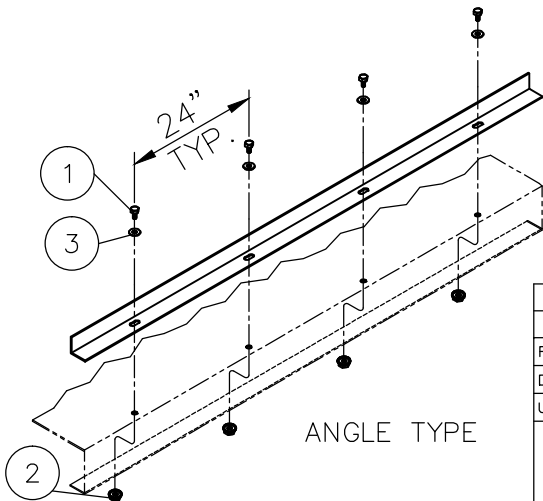
- (1) GD RL FILLER PLT B01356-00-000G
- (2) 1/4"-20 X 5/8" GR#2 HHCS 23-192
- (2) 1/4"-20 SER FLG NUT 23-293



SOLID TYPE



CHANNEL TYPE



ANGLE TYPE

F	CLR	11/28/06	AD'D B01356 FILLER PLT OPT	8626
REV.	INT.	DATE	CHANGES	ECO#
FO No.			TITLE	
DIST.			SOLID/ANG/CHAN GD RL INSTALL 24-848	
USER				
TOLERANCES: DECIMAL ±.03125"		DATE	NEXT ASSEMBLY	
DESIGNED BY:	CHECKED BY:	1/11/00	B01393,B22538,B22641	
DRAWN BY:	APPROVED BY:	SCALE	B22833,B22557	
C. DOTY		REV. F	DRAWING NUMBER	
			FAD-119	
			WEST MEMPHIS, ARKANSAS	