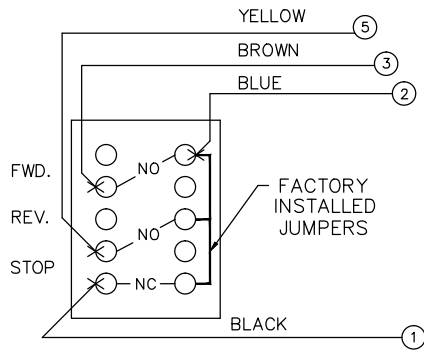
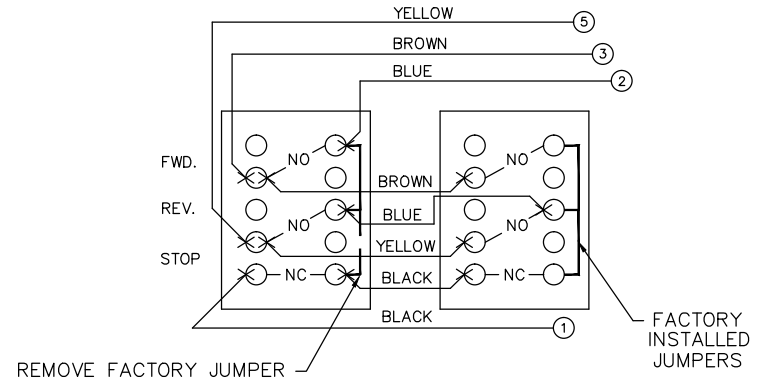


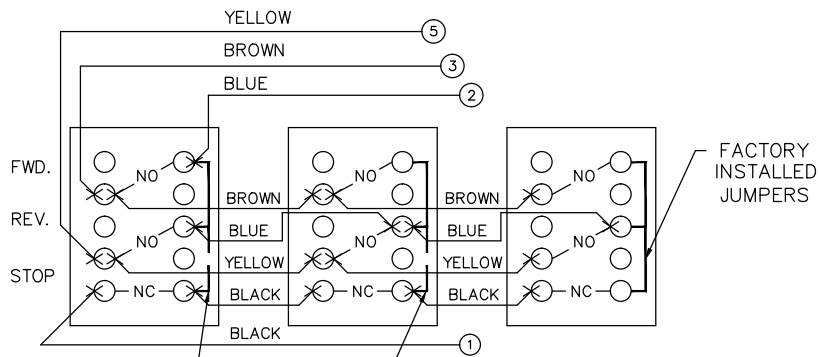
ITEM	QTY.	UNIT	DESCRIPTION	DRAWING
------	------	------	-------------	---------



SINGLE PUSHBUTTON



TWO PUSHBUTTONS



THREE PUSHBUTTONS

NOTES:

1. WHEN MORE THAN ONE PUSHBUTTON IS USED, REMOVE JUMPER BETWEEN STOP AND REVERSE IN ALL BUT THE LAST PUSHBUTTON IN LINE.
2. 800S-3SC A/B UP/DOWN/STOP P.B. STATION 18-009
800S-3SA A/B FWD/REV/STOP P.B. STATION 18-010
3. "X" INDICATES WIRE TERMINALS

A	CLR	11/05/07	Released	8798	
REV.	INT.	DATE	CHANGES	ECO#	
FO No. FAD			TITLE	UNIT	
DIST. STANDARD			PUSH-BUTTON WIRING FOR REV STARTER	EA	
USER					
<p>AUTOMATED CONVEYOR SYSTEMS, INC. WEST MEMPHIS, ARKANSAS</p>			TOLERANCES: DECIMAL ±0.03125", ANGULAR ±1° UNLESS OTHERWISE SPECIFIED	DATE 10/04/05	
			DESIGNED BY:	CHECKED BY: DATE	SCALE 1/2"=1"
			DRAWN BY: C.ROOKS	APPROVED BY: DATE	REV. A
				NEXT ASSEMBLY 18-009/18-010	
				DRAWING NUMBER FAD-140	